



Electro Standards Laboratories
ADVANCED SYSTEMS DESIGN & SERVICES

SPECIFICATIONS
MODEL 8449
(Cat. No. 308449)

LineSelect® Model 8449 5-Channel RJ45/BNC A/B Switch, Manual Operation with Barrier Terminal Block Position/Status Port

- Switches a combination of both RJ45 and BNC channels

INTRODUCTION

Each channel of the **LineSelect®** Model 8449 Five-Channel A/B Switch allows a device connected to the COMMON port to access devices connected to the A or B ports. Channels 1 and 2 utilize RJ45 connectors and are certified for Cat 5e compliance. Channels 3, 4, and 5 utilize BNC coaxial connectors. All five channels switch simultaneously. A four position Barrier Terminal Block port provides switch position status via two contacts for A position, and two contacts for B position. The **LineSelect®** Model 8449 is enclosed in a slim desktop style enclosure.

FEATURES:

- Each channel allows quick connection to any one of two devices from one COMMON device.
- Simultaneously switches all five channels via front-panel rotary switch.
- The two RJ45 channels are rated for 10/100/1000 Base-T networks. (Up to Cat 5e)
- All 8 pins of the RJ45 interface are switched via break-before-make rotary switch.
- Both the shield and center conductor of the coaxial interface are switched via break-before-make rotary switch.
- High quality sealed switch with self-wiping low impedance contacts.
- The ports are transparent to all data.
- Eliminates the need to plug and unplug cables.
- No external power supply required.
- Four position barrier terminal block port provides switch position/status via two contacts for A position, and two contacts for B position.
- Four threaded screw holes located on the bottom panel facilitate mounting to a flat surface.
- Improves computer network efficiency by allowing sharing of peripherals.
- Attractive anodized black box packaging provides EMI/RFI shielding.
- Custom length RJ45 or BNC Coax cables for your switch installation.
- **Lifetime warranty against manufacturing defects.**



SPECIFICATIONS:

CHANNELS 1, and 2 PORT CONNECTORS: Each of two channels has (3) RJ45 female connectors labeled A, B, and COMMON.

CHANNELS 3, 4 and 5 PORT CONNECTORS: Each of three channels has (3) BNC female connectors labeled A, B, and COMMON.

BARRIER TERMINAL BLOCK PORT: (1) Four position barrier terminal block port on rear panel allows remote monitoring of the switch position.

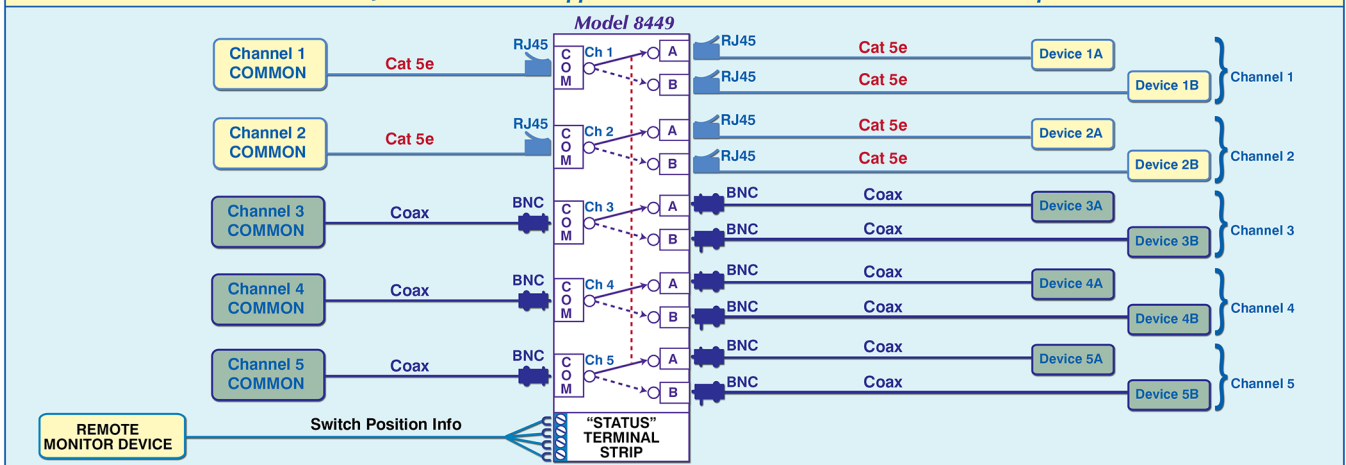
FRONT PANEL CONTROL: (1) Rotary Switch on front panel selects A or B.

POWER: No power required.

DIMENSIONS: Desktop 8.12"W x 8.38"D x 2.90"H. (20.7 x 21.3 x 7.7 cm)

WEIGHT: Approximately 1.9 lbs. (0.9 kg)

LineSelect® Model 8449 5-Channel RJ45/BNC A/B Switch Application w/ Barrier Terminal Block Position/Status port



36 Western Industrial Drive, Cranston, RI 02921
Tel: 401-943-1164 Fax: 401-946-5790

www.ElectroStandards.com
E-mail: eslab@ElectroStandards.com