

PathWay® Model 7499 Tri-Channel BNC A/B Switch with Contact Closure Remote

▪ **Great for Audio & Video Remote Switch Applications!**

INTRODUCTION

The Model 7499 Tri-Channel BNC A/B Switch with Contact Closure Remote Port allows the user the capability of accessing two separate devices, ports A and B, via connection through a device connected to the Common port for each channel. The Model 7499 is enclosed in a 1U, full rack size, all metal black chassis designed to provide EMI/RFI shielding and fit in a standard 19" rack.

The switch may be controlled manually via the front panel pushbutton or remotely from a DB9 port located on the rear of the unit. Switch position state may be attained via the front panel LED's.

FEATURES:

- Each channel allows access to two BNC networks from one COMMON BNC network or device.
- Simultaneous control of all channels.
- Front panel pushbutton control.
- Both the Center and Shell of the BNC interface are switched via break-before-make electromechanical relays.
- Front panel LED's display present position and power status.
- The switch ports are transparent to all data.
- **All BNC ports are impedance matched to support 75 Ohm equipment.**
- The unit maintains last set position on power loss and continues to pass data.
- Upon power up, the unit will switch based on Remote Contact Closure state.
- Remote Contact Closure Control provides dry contact logic to allow control of the switch position and lockout state.
- Attractive all metal black box packaging provides EMI/RFI shielding.



SPECIFICATIONS:

PORT CONNECTORS: (3) BNC (F) connectors labeled A, B and COMMON for each Channel.

DISPLAY: (2) Front panel LED's display switch position and power status.

REMOTE: (1) DB9 female connector on rear panel accepts Contact Closure signals for Remote Control Operation.

POWER: UL approved 100VAC-240VAC, 50Hz-60Hz wall mount power module supplies 12 VDC, 500mA to the unit. Has 2-prong, US, non-polarized plug.

DIMENSIONS: Rackmount 19.0" W x 1.75" H x 10.47" D. (48.3 x 4.4 x 26.6 cm), (1U rack height).

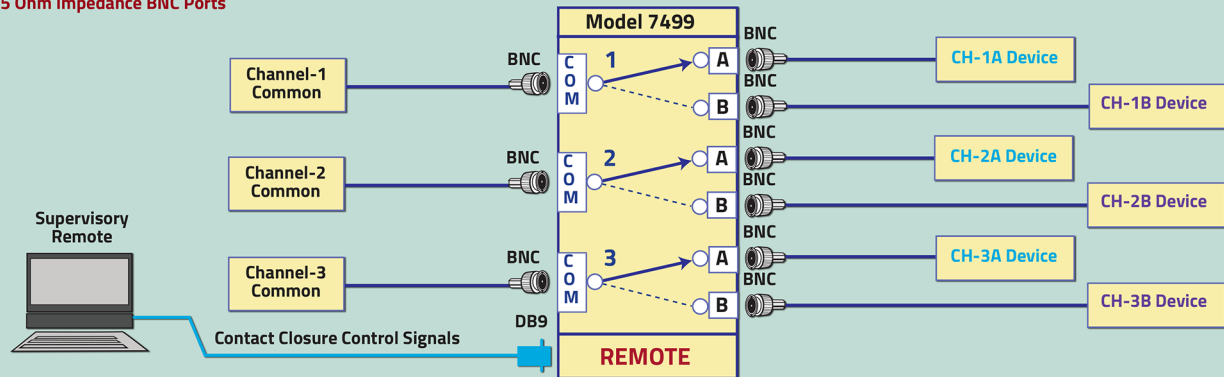
WEIGHT: Approximately 5.7 lbs. (2.6 kg)

WIDE RANGE POWER OPTION AVAILABLE:

(Cat No 517277) **CE, RoHS, and UL listed table mount power module, 100VAC-240VAC, 50Hz-60Hz for use in place of standard power module that is included with the unit. Has IEC 60320 C14 inlet. Ideal for international applications.**

PathWay® Model 7499 Tri-Channel BNC A/B Switch Application with Contact Closure Remote

▪ **75 Ohm Impedance BNC Ports**



Suggested cables for use with Model 7499 Switch.

Part Number	Description	Call for Cable price
990137-006	BNC Coaxial Cable RG-59, 75 Ohm, 6 ft. (M/M)	Call for cable pricing
990137-010	BNC Coaxial Cable RG-59, 75 Ohm, 10 ft. (M/M)	Call for cable pricing
990137-020	BNC Coaxial Cable RG-59, 75 Ohm, 20 ft. (M/M)	Call for cable pricing
990137	BNC Coaxial Cable, RG-59, 75 Ohm, Custom Length. (M/M)	Call for cable pricing