

PathWay® Model 7495 Tri-Channel BNC A/B Switch with Low Voltage TTL and Lockout

▪ **Great for Audio & Video Remote Switch Applications!**

INTRODUCTION

The Model 7495 Tri-Channel BNC A/B Switch with Low-Voltage TTL Remote and Lockout allows the user the capability of accessing three channels of two separate devices, ports A and B, via connection through a device connected to the Common port. The Model 7495 is enclosed in a 1U, full rack size, all metal black chassis designed to provide EMI/RFI shielding and fit in a standard 19" rack.

The switch may be controlled manually via the front panel pushbutton or remotely from a DB9 port located on the rear of the unit. Switch Position state may be attained via front panel LED's.

FEATURES:

- The switch ports are transparent to all data.
- Both the Center and Shell of the BNC interface are switched via break-before-make electromechanical relays.
- The unit maintains last set position on power loss and continues to pass data.
- Front panel pushbutton control.
- Upon power up, the unit remains in the last known position.
- **The DB9 Remote port provides access to remotely control the switch position, obtain switch position status and lockout the front panel operations via TTL Low Voltage 2-5 VDC Logic.**
- Simultaneous control of all channels.
- Front panel LED's display present position and power status.
- All BNC ports are impedance matched to support 50 Ohm equipment



SPECIFICATIONS:

PORT CONNECTORS: (3) BNC (F) connectors labeled A, B and COMMON for each Channel.

DISPLAY: (2) Front panel LED's display switch position and power status.

REMOTE: (1) DB9 female connector on rear panel accepts TTL Low Voltage 2-5 VDC logic signals for Remote Control Operation.

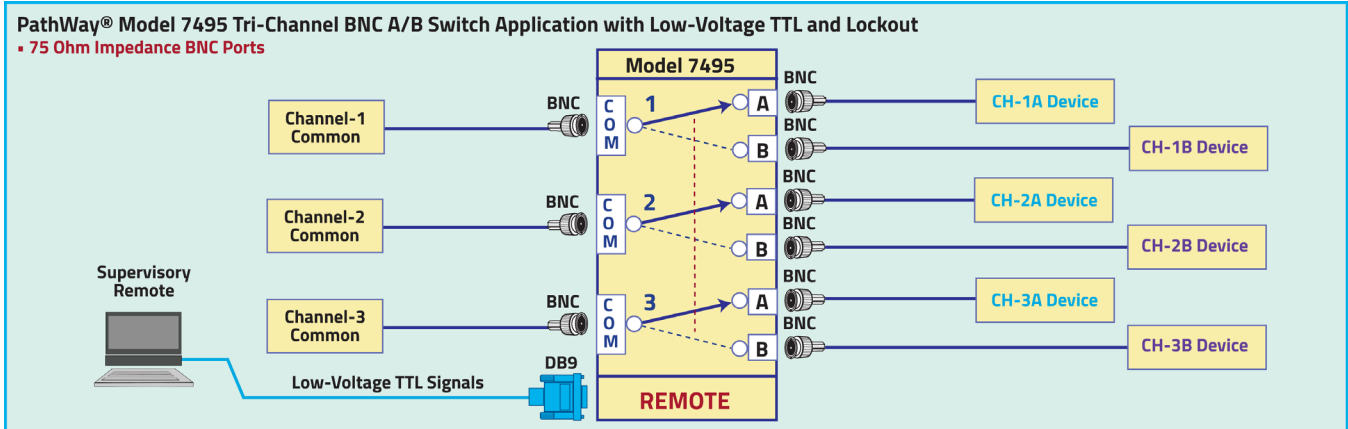
POWER: UL approved 100VAC-240VAC, 50Hz-60Hz wall mount power module supplies 12 VDC, 500mA to the unit. Has 2-prong, US, non-polarized plug.

DIMENSIONS: Rackmount 19.0" W x 1.72" H x 10.6" D. (48.3 x 4.4 x 27 cm), (1U rack height).

WEIGHT: Approximately 5.3 lbs. (2.5 kg)

WIDE RANGE POWER OPTION AVAILABLE:

(Cat No 517277) **CE, RoHS, and UL listed table mount power module, 100VAC-240VAC, 50Hz-60Hz for use in place of standard power module that is included with the unit. Has IEC 60320 C14 inlet. Ideal for international applications.**



Suggested cables for use with Model 7495 Switch.

Part Number	Description	Call for Cable price
990136-006	RG58 Coaxial Cable, 50 ohm, 6 ft. (M/M)	Call for cable pricing
990136-010	RG58 Coaxial, 50 ohm, 10 ft. (M/M)	Call for cable pricing
890426-006	Thinnet RG58 Coaxial Cable, 50 ohm, 6 ft. (M/M)	Call for cable pricing
890426-010	Thinnet RG58 Coaxial Cable, 50 ohm, 10 ft. (M/M)	Call for cable pricing