



Electro Standards Laboratories
ADVANCED SYSTEMS DESIGN & SERVICES



SPECIFICATIONS
MODEL 7322
(Cat. No. 307322)

LineSelect® Model 7322 8-Channel RJ45 Cat6 A/B Switch, Manual, Simultaneous Control, Rackmount

- All Ports Are Shielded RJ45 Connectors
- Applicable to switching ANY RJ45 Interface, quickly and reliably.

INTRODUCTION:

The **LineSelect®** Model 7322 is an 8-channel RJ45 A/B Switch. All eight channels switch to A or B simultaneously. Each of the eight channels reroutes data from its COMMON port to its A or B port, depending on switch position. The unit supports all 8 pins of the RJ45 Cat6 interface. The Model 7322 is enclosed in a 2U, full rack size, all metal black chassis designed to provide EMI/RFI shielding.

FEATURES:

- **LineSelect®** Model 7322 allows quick connection to any one of two devices from one COMMON device for each channel.
- **Certified Cat 6 Compliance**
- **All ports are shielded RJ45 connectors.**
- All 8 pins of the RJ45 interface are switched via break-before-make rotary switch.
- The switch ports are transparent to all data.
- Simultaneously switches all eight channels via front-panel rotary switch.
- High quality sealed switch with self-wiping precious metal contacts.
- Eliminates the need to plug and unplug cables.
- No external power is required.
- Rackmount configuration.
- Attractive all metal black box packaging provides EMI/RFI shielding.
- **Lifetime warranty against manufacturing defects.**
- Custom length Cat6 cables available for your switch application.



SPECIFICATIONS:

PORT CONNECTORS: (3) Shielded RJ45 female connectors labeled A, B, and COMMON, for each of 8 channels.

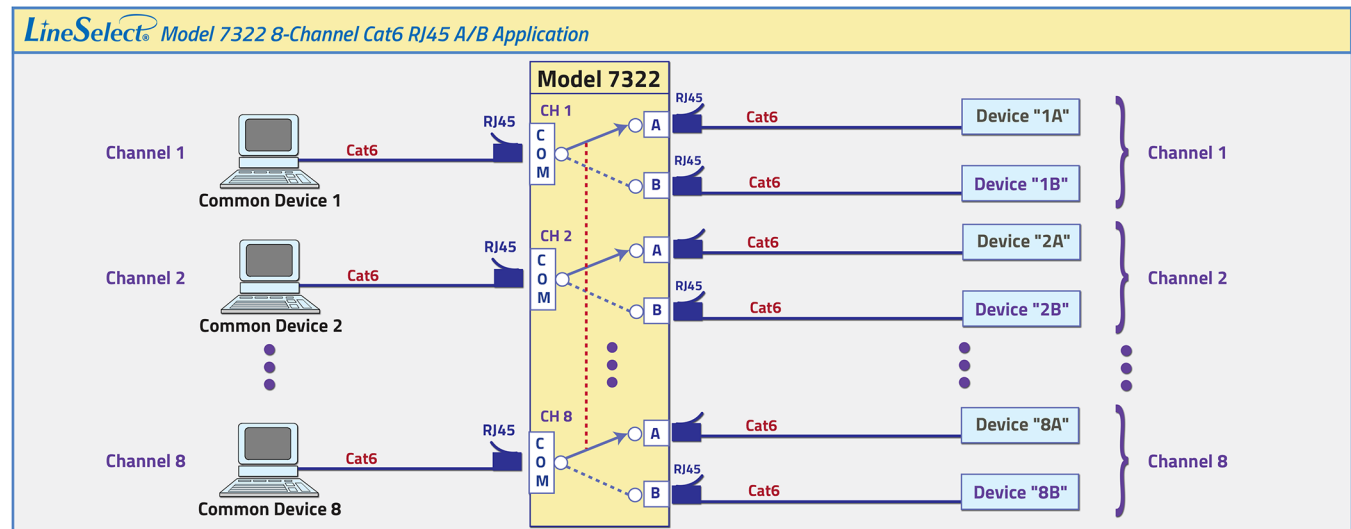
FRONT PANEL CONTROLS: (1) Rotary switch on front panel selects A or B for all eight channels, simultaneously.

POWER: No power required. Manually operated.

DIMENSIONS: Rackmount 19.0" W x 3.5" H x 8.75" D. (48.3 x 8.9 x 22.3 cm)

WEIGHT: 6.3 lbs. (2.9 kg)

**Order
Custom Length
Cat6 Cables for
Optimum Performance!**



36 Western Industrial Drive, Cranston, RI 02921
Tel: 401-943-1164 Fax: 401-946-5790

www.ElectroStandards.com
E-mail: eslab@ElectroStandards.com