

## QuickSwitch® 6278 Dual Channel ESCON Duplex Enabled/Disabled Switch

### INTRODUCTION:

The QuickSwitch® 6278 Dual Channel ESCON Duplex Enabled/Disabled Switch allows the user the capability of enabling or disabling the connection between devices connected to the IN and OUT ports of each channel. The QuickSwitch® 6278 ESCON switch is enclosed in a standard 1U rackmount casing. The dimensions are 19"W x 1.75"H x 8"D and the unit weighs approximately 4.5 lbs.

The switch may be controlled locally by manually operating the front panel pushbutton. The front panel LED display indicates the switch position and unit power status.

### FEATURES:

- The switch ports are transparent to all data.
- Switch maintains position on power loss and continues to pass data.
- Both channels switched simultaneously.
- Front panel pushbutton control.
- Front panel LED's for display of current position of all channels as well as the power status.
- MEMS-Based mirror switch technology supports Gigabyte data rate.
- All IN and OUT ports are ESCON, Multimode, 62.5/125 micron, and support a wavelength of 1300nm.
- Custom length ESCON cables available.



### SPECIFICATIONS:

**PORT CONNECTORS:** (4) ESCON Duplex female connectors labeled CH1 IN, CH 1 OUT, CH2 IN, and CH2 OUT.

**FRONT PANEL CONTROL:** (1) Manual pushbutton allows local switching.

**DISPLAY:** (2) Front panel LED's display switch position and power status.

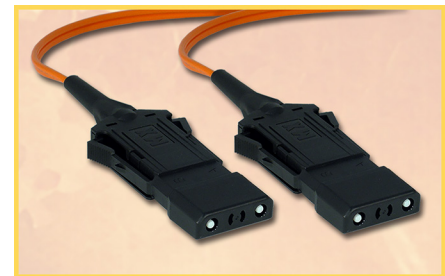
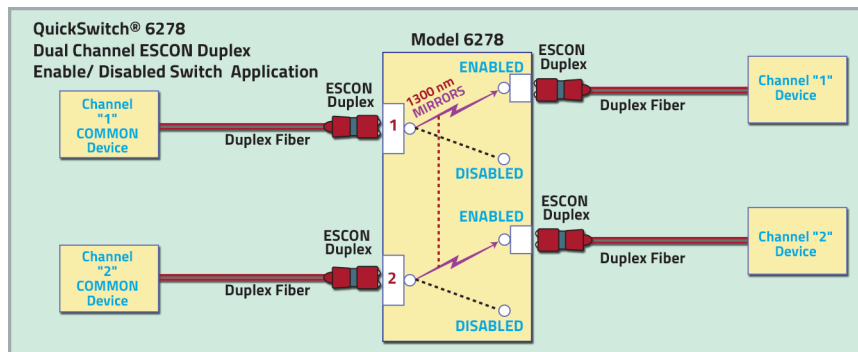
**POWER:** UL Approved wall mount power module, 120 VAC, 60 Hz supplies 12 VDC, 500 mA to the unit.

**DIMENSIONS:** Rackmount Configuration  
19.0"W x 1.75"H x 8"D

**WEIGHT:** Approx. 4.5 lbs.

### WIDE RANGE POWER OPTION AVAILABLE:

(Cat No 517277) CE and UL listed wall mount power module, 100VAC-240VAC, 50Hz-60Hz in place of standard 115VAC or 120VAC power module. Ideal for international applications.



ESCON-ESCON FIBER OPTIC  
DUPLEX CABLE

### Suggested cables for use with Model 6278 Switch

#### ESCON Fiber Optic Cables, Duplex, Multimode 62.5 / 125 μm

Part Number	Length	Description	Unit Price
981883-01m	1 meter	ESCON - ESCON Cables, Duplex, PVC	\$67.15
981883-02m	2 meters	ESCON - ESCON Cables, Duplex, PVC	\$69.30
981883-03m	3 meters	ESCON - ESCON Cables, Duplex, PVC	\$71.45
981883-05m	5 meters	ESCON - ESCON Cables, Duplex, PVC	\$75.75
981883-10m	10 meters	ESCON - ESCON Cables, Duplex, PVC	\$86.50
981883-Custom Length	Custom meters	ESCON - ESCON Cables, Duplex, PVC	\$65.00 + \$2.15/m