



**Electro Standards Laboratories**  
ADVANCED SYSTEMS DESIGN & SERVICES



**Schedule**  
Contract GS-35F-0286V

**SPECIFICATIONS**  
**MODEL 4189**  
Cat. No. 303189

## QuickSwitch® 4189 4-Way Fiber Optic Switch/Converter

### INTRODUCTION:

QuickSwitch® 4189 allows user to access any one of four separate fiber optic network ports, 1, 2, 3, or 4, from a computer connected to the COMMON 100 Base-TX port. The fiber optic / twisted pair media conversion is built in! Ports 1 & 2 are 850nm 10 Mbps ST duplex multimode fiber optic ports; ports 3 & 4 are 1300nm 100 Mbps ST duplex multimode fiber optic ports. Customized configurations are available. The selected fiber optic network port is converted to either 10 Base-T or 100 Base-T depending on the selected fiber optic port speed.

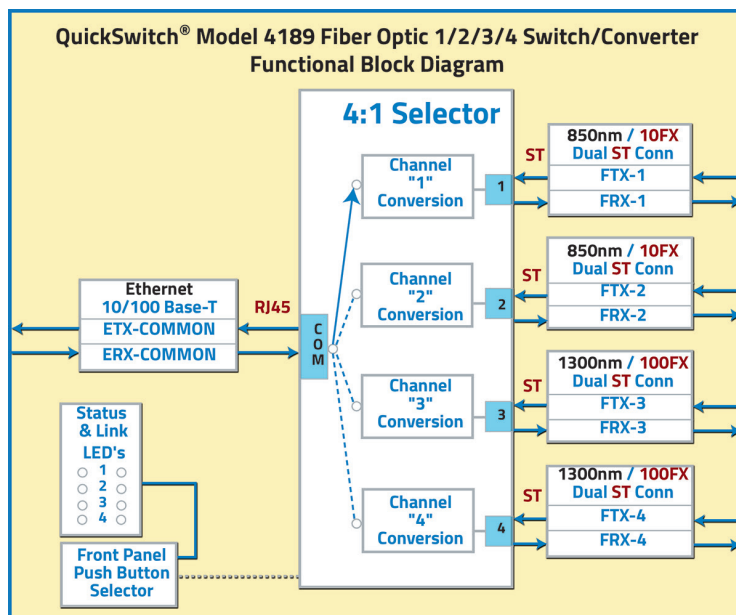
QuickSwitch® 4189 is controlled from the front panel pushbutton switches only. Front panel control is as simple as depressing the button of the desired network port. LED indicators display the switch position status, as well as the presence of the fiber optic link.



**COTS or Customized Switches Available**  
(Call 401-943-1164)

### FEATURES:

- Access any one of four separate fiber optic networks from one computer.
- Network ports **1 & 2** are 850nm **10 Mbps** ST duplex multimode fiber optic ports. Network ports **3 & 4** are **1300nm 100 Mbps** ST duplex multimode fiber optic ports, ST duplex shown. SC duplex is available.
- Based on the selected port, the COMMON port will automatically convert to the proper 10 Base-T or 100 Base-T speed.
- Internal circuitry insures isolation between networks/devices.
- Acts as a signal source, no optical signal loss.
- LED display indicates switch position and fiber link presence at a glance.
- Simple pushbutton switching eliminates the need to plug/unplug fiber optic patchcords thus minimizing connector wear, and increasing system reliability.
- **Spare power supply available, P/N 520943.**
- Other fiber optic interface network ports are available.
- **Municipalities, schools, government: This product on GSA Schedule!**



### SPECIFICATIONS:

**PORT CONNECTORS:** Ports 1, 2 are 10 Base FL fiber optic ports, dual ST; ports 3, 4 are 100 Base FX fiber optic ST duplex ports; COMMON port is 10/100 Base-TX, RJ45.

**FRONT PANEL CONTROLS:** (4) Pushbuttons to select network port. **(No REMOTE Control port).**

**DISPLAY:** (4) Status red LED's; (4) Link red LED's.

**POWER** - UL approved 110-240VAC / 47-63Hz wall mount power module supplies power to the unit, P/N 520943.

**FIBER OPTIC PORT INTERFACE** - Ports 1, 2 are 850nm, speed 10 Mbps, full duplex; Ports 3, 4 are 1300nm, speed 100Mbps, full duplex.

**FIBER SIZE:** 62.5/125 Micron.

**DIMENSIONS:** 11"W x 2.7"H x 8.5"D  
(27.9 x 6.9 x 21.6 cm)

**WEIGHT:** 3 lbs (1.4 kg)