

QuickSwitch® 4186 Single Channel SC Duplex 100Base-FX A/B/C Switch, with RS232 Remote

- Provides Fiber Optic Link Backup Secure with Password Protection.
- Available to Business and Government Telepresence and Broadcast Systems.

INTRODUCTION

The QuickSwitch® 4186 Single Channel SC Duplex 100Base-FX A/B/C Switch with RS-232 Remote allows the user the capability of sharing a single port interface device, connected to the "COMMON" port, among three other devices, connected to the "A", "B", and "C" ports. Remote access can be accomplished using a DB9 RS-232 connection and ASCII Serial Commands. The QuickSwitch® 4186 is packaged in a slim desktop style enclosure.

The QuickSwitch® 4186 is fully compliant with the 802.3u 100Base-FX standard.

FEATURES:

- Access any one of three separate fiber optic networks from one computer.
- All fiber optic ports are SC Duplex connectors, Multimode, 62.5/125 micron, and support a wavelength of 1300nm and speeds of 100 Mbps.
- All fiber ports are standard fiber optic transceivers that receive and drive the fiber optic signal, where the TX is on the left and the RX is on the right.
- Local control via front-panel pushbutton.
- Remote RS232 Port pinout configured as a DTE device.
- **Remote control of the switch is password protected.**
- Remote RS232 ASCII Commands that allow the user to control switch position, lockout front panel operations, and obtain switch status.
- Front panel LED's display present position and power status.
- When power is lost, unit isolates all communication ports and does not pass data.
- When power is restored, the unit automatically switches to the last known position.
- Custom length rigorously tested and certified, SC duplex fiber optic cables are available for your installation.

★ **Municipalities, schools, government: This product is on GSA Schedule!**



SPECIFICATIONS:

FIBER SIZE: 62.5/125 micron

WAVELENGTH: 1300 nm.

PORT CONNECTORS: (4) SC Duplex female connectors labeled A, B, C, and COMMON.

CONTROL: (1) Pushbutton allows selection of switch position.

DISPLAY: (3) Red LED's display switch position and power status.

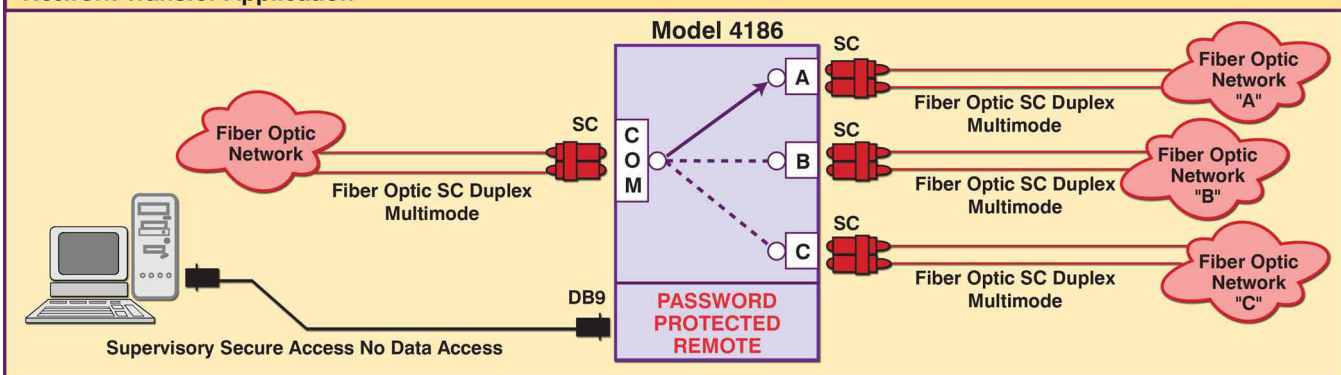
REMOTE: (1) DB9(F) connector on rear panel accepts ASCII RS232 Serial Data for Remote Control Operation.

POWER: "WIDE RANGE" CE and UL listed table mount power module (Cat No. 511114) 100VAC/240VAC, 50Hz/60Hz supplies 5 VDC to the unit. Has IEC 60320 C14 inlet. **Ideal for international applications.**

DIMENSIONS: Standard Desktop, 8.15" W x 2.38" H x 7.27" D. (20.8 x 6.1 x 18.5 cm)

WEIGHT: Approximately 2.1 lbs. (1.0 Kg)

Network Transfer Application



Custom Fabricated Fiber Optic Cables For Your Network Switch Installation.

- ESL Custom Fabricated Fiber Optic Cable Assemblies are of the highest quality available.
- All Cables are expertly polished and 100% tested for low insertion loss and back reflection.
- These custom cables use the highest quality fiber optic cable material and our connectors are all brand name connectors, AMP, Molex, Siecor.
- Our cable assembly clean room is designed for quick turn-around for standard or special requirements.
- We have a specially trained team of dedicated experienced assemblers ready to meet all your requirements.

To Order Fiber Optic Cables

- **By Phone:** Call 1-401-943-1164 for technical assistance.
- **On Line:** <http://www.electrostandards.com/Products-Custom/Fiber-Optic-Cable/>
- **By Fax:** Please fill out form completely and fax to Electro Standards Laboratories at 1-401-946-5790. If you need assistance please don't hesitate to call us.



Scan QR code:
For Online
Fiber Optic Cable Form

Select your "A" and "B" connector type by placing a check mark next to the appropriate connector, then select the appropriate categories for your fiber optic cable requirement.

<p>Connector "A" Information</p> <p>TYPE</p> <p><input type="checkbox"/> ST <input type="checkbox"/> SC <input type="checkbox"/> SC Duplex <input type="checkbox"/> FC <input type="checkbox"/> FDDI <input type="checkbox"/> ESCON <input type="checkbox"/> LC <input type="checkbox"/> MTRJ <input type="checkbox"/> MTP <input type="checkbox"/> MTP <input type="checkbox"/> 1x12 <input type="checkbox"/> 2x12 <input type="checkbox"/> 3x12 <input type="checkbox"/> SMA905 <input type="checkbox"/> SMA906 <input type="checkbox"/> NONE (Pigtail) <input type="checkbox"/> Other _____</p> <p>Polarity</p> <p><input type="checkbox"/> Female <input type="checkbox"/> Male</p>	<p>Connector "B" Information</p> <p>TYPE</p> <p><input type="checkbox"/> ST <input type="checkbox"/> SC <input type="checkbox"/> SC Duplex <input type="checkbox"/> FC <input type="checkbox"/> FDDI <input type="checkbox"/> ESCON <input type="checkbox"/> LC <input type="checkbox"/> MTRJ <input type="checkbox"/> MTP <input type="checkbox"/> MTP <input type="checkbox"/> 1x12 <input type="checkbox"/> 2x12 <input type="checkbox"/> 3x12 <input type="checkbox"/> SMA905 <input type="checkbox"/> SMA906 <input type="checkbox"/> NONE (Pigtail) <input type="checkbox"/> Other _____</p> <p>Polarity</p> <p><input type="checkbox"/> Female <input type="checkbox"/> Male</p>	<p>Length _____</p> <p><input type="checkbox"/> in Meters <input type="checkbox"/> in Feet</p> <p>Mode</p> <p><input type="checkbox"/> Single Mode <input type="checkbox"/> Multimode</p> <p>Fire Rating</p> <p><input type="checkbox"/> PVC Riser <input type="checkbox"/> Plenum</p> <p>Core Size</p> <p><input type="checkbox"/> 50/125µm <input type="checkbox"/> 62.5/125µm <input type="checkbox"/> 9/125µm <input type="checkbox"/> Other _____</p> <p>Cable Type</p> <p><input type="checkbox"/> Simplex <input type="checkbox"/> Duplex <input type="checkbox"/> Breakout <input type="checkbox"/> Distribution <input type="checkbox"/> Other _____</p>
--	--	--

<p>_____</p> <p>_____</p> <p>_____</p> <p>_____</p> <p>_____</p>	<p>_____</p> <p>_____</p> <p>_____</p> <p>_____</p> <p>_____</p>
--	--

