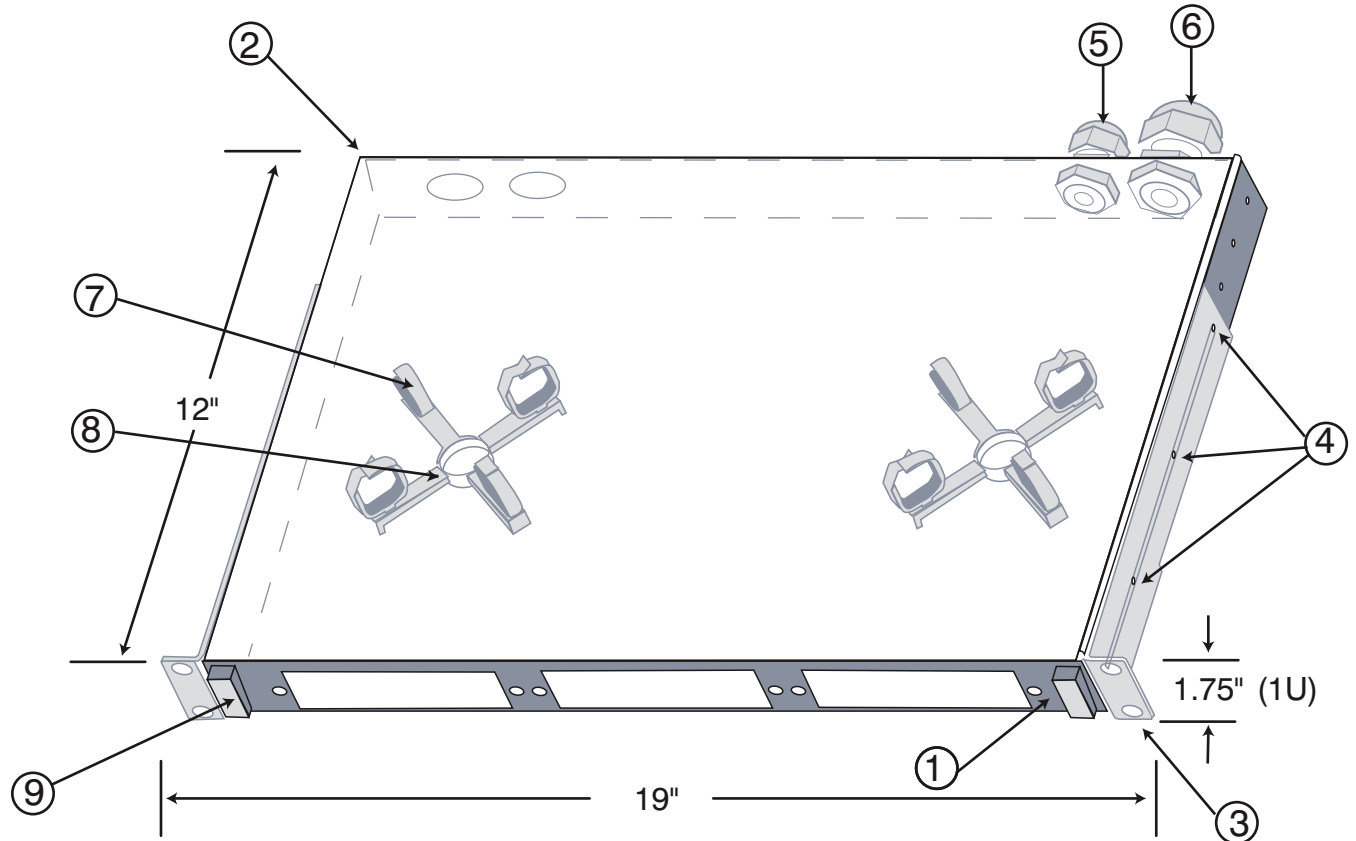


Rack Mount Fiber Patch Enclosure

- Accepts up to three cassettes and/or adapter plates.



1. Tray / Shelf (1.75" H x 19.0" W x 12" D)
2. Hinged Cover (Illustrated without the cover)
3. Mounting Brackets (Two)
4. Bracket Depth Adjustment Screws (Six)
5. Small Cable Gland
6. Large Cable Gland
7. Cable Management Spiders (Two)
8. OFN Cable Saddles (Eight)
9. Front Panel Latches (Two)

Excellent for use with 12-fiber MTP/MPO fiber optic cables and breakout cassettes.



Rack Mount Fiber Patch Enclosure with typical cassettes and adapters.

Cat No.	Model	Description
510154	Model 3294	Fiber cassette drawer that holds up to 3 cassettes
306006	Model 6006	1 MTP/MPO to 6 SC duplex connectors cassette
306012	Model 6012	2 MTP/MPO to 12 LC duplex connectors cassette
513292	Model 3194	blank cassette panel